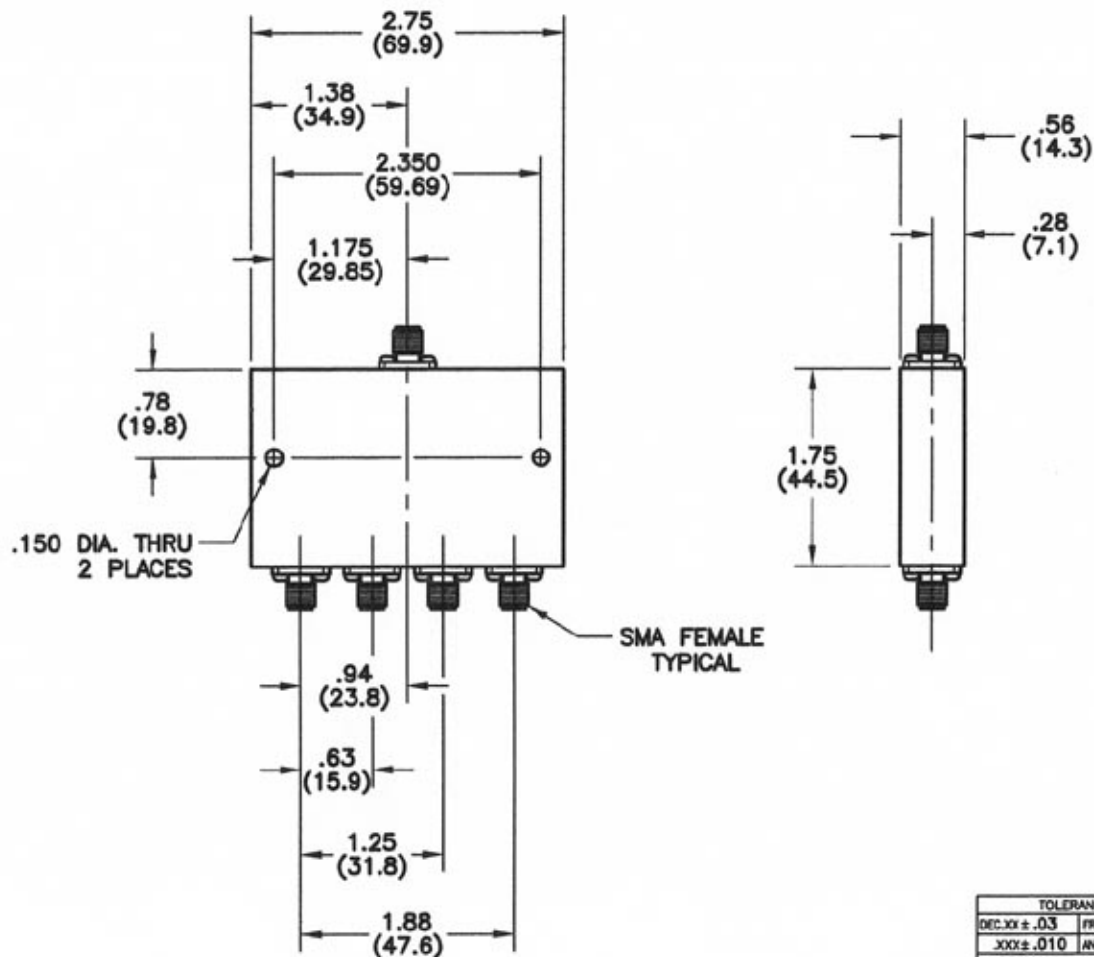


REVISIONS					
REV	ZONE	DESCRIPTION	DATE	BY	ECO



SPECIFICATIONS

FREQUENCY RANGE: 1.5 TO 3.0 GHz

INSERTION LOSS: 0.6 dB MAX.

ISOLATION: 20 dB MIN.

VSWR: INPUT - 1.40:1 MAX.

OUTPUT - 1.40:1 MAX.

POWER: 30 WATTS AVG. W/ LOAD VSWR 1.20:1 MAX.

DIMENSIONS: INCHES
(MILLIMETERS)

TOLERANCES

DEC.XX ± .03 FRAC ±

XXX ± .010 ANG ±

MATERIAL

FINISH

THE INFORMATION CONTAINED IN THIS DOCUMENT IS THE PROPERTY OF MICROWAVE DEVICES, INC. AND IS PROPRIETARY. IT IS NOT TO BE COPIED OR USED FOR ANY PURPOSE OTHER THAN AS INSTRUCTED, IN WRITING, BY MICROWAVE DEVICES, INC.

SIGNATURES DATE
DR G.V.Cothren 2-9-07

CHK

APPD

APPD

MICROWAVE DEVICES
RF and Microwave Components

OUTLINE, 4-WAY POWER
DIVIDER, MODEL 4PD2.25S

CAGE 60674 SIZE B DRAWING NO. 900647-1

DRAWING SCALE 1=1 SHEET 1 OF 1

CONTACT: MICROWAVE DEVICES - 1150 N. GRAHAM RD.
(317) 736-8633 FRANKLIN, IN 46131

DIMENSIONS ARE IN INCHES UNLESS OTHERWISE SPECIFIED.